



SARASWATI Education Society's  
**SARASWATI College of Engineering**

Learn Live Achieve and Contribute

Kharghar, Navi Mumbai - 410 210.

Tel: 022-27743706/27743708, Fax: 022-277437123

## DEPARTMENT OF MECHANICAL ENGINEERING

Jan -June 2016

NEWSLETTER

Volume 15

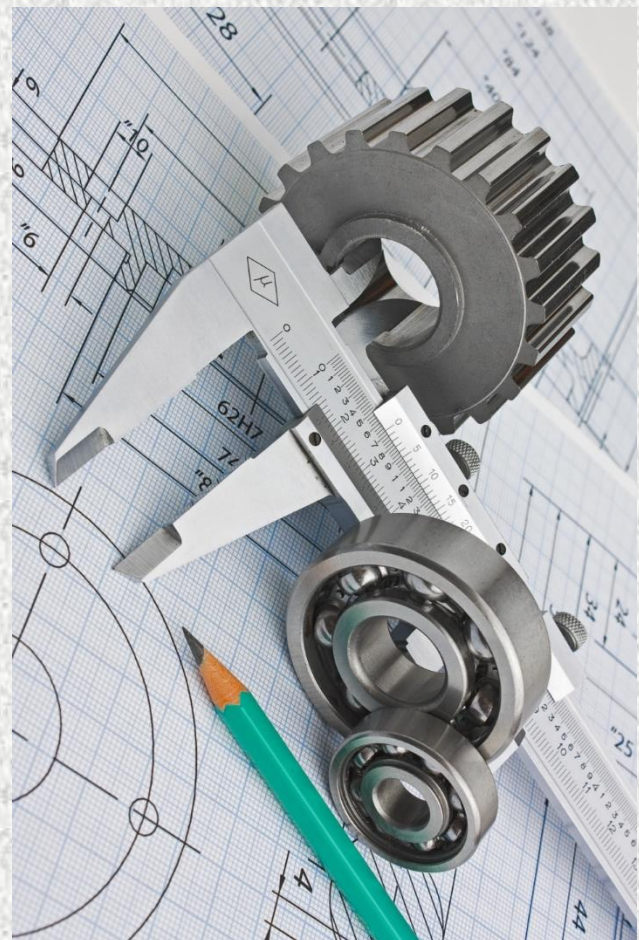
### FROM HOD'S DESK

*The spirit of improvement is not always a spirit of liberty; for it may aim at forcing improvement on an unwilling people.*

Mechanical Engineering is the largest of the engineering disciplines and a large number of mechanical engineers go into manufacturing of computer and electronic products, machinery and transportation equipments.

The department cares for student support, mentoring, tutoring, study skills workshops and career development. Mechanical Engineering students culminate their studies with a year-long capstone project requiring design problem solving, creative thinking, project planning and teamwork. A broad selection of technical electives encourages students to pursue special interests in design and manufacturing, energy and environmental issues, thermal and fluid sciences materials, dynamics & controls and robotics.

**Dr. Fauzia Siddiqui**



### EDITORIAL BOARD

Dr.Fauzia Siddiqui..... (Head of Department)

Prof. A. B. Ranveer..... (Faculty in charge)

## VISION

To emerge as a centre of excellence in academics and research in the field of Mechanical Engineering.

## MISSION

To create professionally competent engineers with analytical and research skills for promoting an environment of continuous learning.

## PROGRAM EDUCATIONAL OBJECTIVES (PEO'S)

1. To create excellent mechanical engineers with core competency in mathematics, science and engineering enabling development of problem solving skills.
2. To strengthen themselves professionally and personally to accept responsibilities and pursue higher education in engineering and other professional fields.
3. To use modern tools and techniques necessary for mechanical engineering and allied disciplines leading to research and development.
4. To inculcate the students to work effectively in cross-functional teams and cultivate the principles of professional ethics and social responsibilities.
5. To develop the students adaptable to change in environment and application of appropriate methodology for value addition so as to support economic growth.

## PROGRAM OBJECTIVES (PO'S)

1. Ability to apply knowledge of Mathematics, Science and fundamental of Mechanical Engineering.
2. Ability to design and conduct experiments, as well as to analyze and interpret the data.
3. An ability to use techniques, skills and modern engineering tools necessary for engineering practice.
4. An ability to identify, formulate and solve engineering problems.
5. Committed to professional, social and ethical responsibility to function effectively as a team leader in engineering practices.
6. Inculcating self-discipline and self-confidence, and to make the students internally driven to set personal goals.
7. Ability to engage in life –long learning in order to maintain sustainable development even during the crisis.
8. An awareness of contemporary issues and broad understanding of the impact of engineering and technology on society.
9. Ability to understand environmental and contemporary issues.
10. Possess the skills to communicate effectively with a wide range of both engineering and non-engineering community.
11. Ability to work as a team and as an individual effectively and apply knowledge of management principles to handle projects in multidisciplinary environment.



## PROGRAMS ORGANIZED



- A mega event of Jamboree 2016 was organized by ISHRAE on 9<sup>th</sup> Jan 2016.
- An expert lecture was delivered on Soft Skill Development by Mr. Ajay Dave (Head IT, ACCIL Group, Khopoli) for final year students on 27<sup>th</sup> Jan 2016.



- An expert lecture was delivered on Survival Skill Development by Mr. Suyog Joshi (Earth Adventure Group) for final year students on 28<sup>th</sup> Jan 2016.



- An expert lecture was delivered on CAD CAM by Mr. Akshay Patil (CAD center, Kharghar) for final year students on 10<sup>th</sup> Feb 2016.
- A seminar was organized on Android App Development was for B.E. students and delivered by Mrs. Akanksha Sinha (Purple Squirrel) on 15<sup>th</sup> Feb 2016.



- A program was organized for faculties of SCOE on Stress Management on 11<sup>th</sup> March 2016 and delivered by Ms. Pratchi Kanodia (Pranic Healing Instructor, Vashi)
- An Expert lecture on Piping Engineering was delivered by Mr.M.N.Hussain (Shraddha Technical Institute) for final year students on 17<sup>th</sup> March 2016.





- A Job Training Junction was organized by Mrs. Alka Purohit for final year students during 1<sup>st</sup> March to 3<sup>rd</sup> March 2016
- An Expert Lecture was delivered by Ms. Snehal Barge on Industrial Electronics for second year students on 1<sup>st</sup> March 2016.
- An Expert Lecture was delivered by Mr. Upendra Mate on Fluid Mechanics for second year students on 23<sup>rd</sup> April 2016.



- An Expert Lecture was delivered by Mr. G.N.Thokal on Machine Design for final year students on 31<sup>st</sup> March 2016.



- An event was organized for final year mechanical engineering students 1<sup>st</sup> March 2016 on Group Discussion and Personal Interview and delivered by Mrs. Alka Purohit.

### Memorandum of Understanding (MOU)



A MOU was signed with CADD Center, Kharghar on 15<sup>th</sup> June 2016.

## Short Term Training Program (STTP)



A Short Term Training Program was organized on Recent Trends in Mechanical Engineering approved by Indian Society of Technical Education, New Delhi (Ref. ISTE/Proceedings/STTP-SF/2016-17) during 6<sup>th</sup> June to 10<sup>th</sup> June 2016.

## PAPERS PUBLISHED

Sr. No.	Name of Staff	No. of papers published
1	Mr. S.N.Teli	04
2	Dr. Fauzia Siddiqui	02
3	Mr. Madan M. Jagtap	03
4	Mr. Pankaj K.Jadhav	01
5	Mr. Ranveer Abhijeet B	01
6	Mr. Sandeep B.Jadhav	01
7	Mr. Paramjit M. Thakur	03
8	Mr.Vinayak P. Suryawanshi	01
9	Ms. Mitali S. Mhatre	01
10	Mr. Ganesh Jadhav	01
11	Mr. Prasanna P. Raut	03
12	Mr. Yogesh S. Dhumal	01



13	Mr. Madhukar Sorte	07
14	Mr. Suhas M.Jadhav	01
15	Ms. Geeta J.Karmarkar	01
16	Mrs.Mugdha D.Dongre	02
17	Mr. Amol S.Bhagat	01
18	Mr. Rakesh A.Shinde	01
19	Mr. Ashish G. Bandewar	03

### **BOOKS PUBLISHED**

- S.N.Teli has published 3 books in the field of Manufacturing Engineering in LAP Lambert Germany during Jan 2016 to June 2016.

### **DEPARTMENT OF MECHANICAL ENGINEERING**